

IG Series

LED Parking Garage Luminaire

Rev. Date: V9 05/17/2023

Product Description

Cree Lighting innovates again to reset the performance benchmark in parking garage applications with the IG Series featuring WaveMax® Technology, our innovative optical waveguide platform. Available in 33-, 60- and 76-watt, three lumen packages are offered to satisfy IES RP-8-21 and IES Security Zone G-1-03 requirements for environments seeking higher light levels for improved safety and security. The streamlined design breaks away from dated traditional designs, blending form and function, to deliver superior low-glare illumination.

For enhanced performance and versatility, a range of optional integrated lighting controllers bring advanced capabilities and energy savings to the IG Series. From the stand-alone multi-level (BML) option to the Synapse® wireless control options, the IG Series provides the features and flexibility designed to meet the needs of today's most demanding parking garage applications.

Applications: Parking garages

Performance Summary

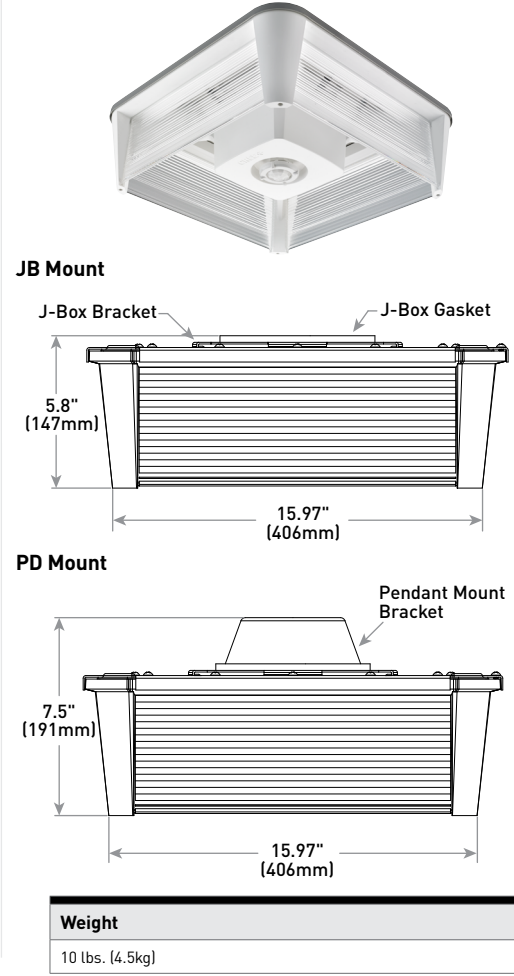
Utilizes WaveMax® Technology
Initial Delivered Lumens: 3,860 - 10,350 lumens
Input Power: 33 - 76 watts
Efficacy: Up to 136 LPW
Optic: Type V Short Distribution
Assembled in the USA by Cree Lighting from US and imported parts
CCT: 3000K, 3500K, 4000K, 5700K
CRI: Minimum 80 CRI
Limited Warranty*: 10 years for luminaire; 5 years for BML option; up to 5 years for Synapse® accessories; 1 year for luminaire accessories

* See <http://creelighting.com/warranty> for warranty terms. For Synapse accessories, consult Synapse spec sheets for details on warranty terms.

Ordering Information

Fully assembled luminaire is composed of two components that must be ordered separately:
Example: **Mount:** IG-JBWH + **Luminaire:** IG-B-NM-5S-4L-40K8-UL-WH

Mount (Luminaire must be ordered separately)	
IG-	WH
IG-JB Junction Box IG-PD Pendant	Color Options: WH White



Luminaire (Mount must be ordered separately)								
IG	B	NM	5S				WH	
Product	Version	Mounting	Optic	Lumen Package	CCT/CRI	Voltage	Color	Options
IG	B	NM No Mount	5S Type V Short	4L 4,000 Lumens 7L 7,000 Lumens 10L 10,000 Lumens	30K8 3000K, 80 CRI 35K8 3500K, 80 CRI 40K8 4000K, 80 CRI 57K8 5700K, 80 CRI	UL 120-277V UH 347-480V	WH White	BML Bluetooth® Technology Enabled Multi-Level Sensor - Utilizes a multifunction sensor - Available only with UL voltage - Refer to BML spec sheet for details - 8-20' sensor lens installed on luminaire; 20-40' sensor lens and aisle shroud included - Not available with Synapse controls SWC Synapse® Wireless Controller - Provides real-time lighting control with utility-grade power monitoring (+/-2%) - Uses a highly reliable SimplySNAP mesh network - SimplySNAP Gateway is required [see Accessory table on page 2] - Not available with UH voltage or BML or SWS options SWS Synapse® Wireless Controller with Network Sensor - Utilizes a multifunction sensor - Adds customizable sensor for motion or ambient light detection with use of Daylight Harvesting Accessory [see Accessory table on page 2] - Sensor configured for motion sensing as factory default - SimplySNAP Gateway is required [see Accessory table on page 2] - Not available with UH voltage or BML or SWC options



US: creelighting.com T (800) 236-6800
Canada: creelighting-canada.com T (800) 473-1234



Product Specifications

WAVEMAX® TECHNOLOGY

Featuring up to 90% optical efficiency and precise control, WaveMax® Technology provides unmatched comfort and decreased LED source luminance by smoothly spreading brightness over a broader area. When integrated with luminous surfaces made of a polymer medium engineered with DiamondFacet™ optical elements, extremely high efficacy luminaires are the result – ultimately creating more visually comfortable and appealing environments while exceeding illumination performance.

CONSTRUCTION & MATERIALS

- Impact resistant white polycarbonate housing and acrylic lenses
- Corrosion resistant anodized aluminum top plate
- Low profile, lightweight design provides ease of installation
- Standard luminaire can mount to both pendant or J-box (specify mount in ordering table above)
- J-Box mounting bracket mounts directly over existing 4" (102mm) square, rectangular or octagonal junction boxes only
- Pendant mount includes 6" (152mm) wires out of luminaire and provides a splice location for mounting to 3/4" IP pendant (by others)
- **Weight:** 10 lbs. (4.5kg)

OPTICAL SYSTEM

- WaveMax® Technology that improves optical control, optical efficiency, energy efficiency and the overall visual experience
- Acrylic Lenses with DiamondFacet™ Microlenses
- Unmatched low-glare comfort and decreased LED source luminance by smoothly spreading brightness over the optical lenses
- 5.4% Uplight
- <15% (vs DLC's 25% maximum requirement) of the total lumens fall in the 70-80° zone, reducing high angle brightness while providing superior vertical illumination
- Provides up to twice the vertical illumination recommended in RP-8-21

ELECTRICAL SYSTEM

- **Input Voltage:** 120-277V or 347-480V, 50/60Hz
- **Power Factor:** > 0.9 at full load
- **Total Harmonic Distortion:** < 20% at full load
- **Input Power:** Stays constant over life
- **Operating Temperature Range:** -40°C - + 40°C (-40°F - + 104°F)
- Designed with 0-10V dimming capabilities standard. Controls by others
- Integral 6kV/3kA surge suppression protection standard
- When code dictates fusing, a slow blow fuse or type C/D breaker should be used to address inrush current

REGULATORY & VOLUNTARY QUALIFICATIONS

- cULus Listed
- Suitable for wet locations
- Enclosure rated IP66 per IEC 60598
- ANSI C136.2 6kV/3kA surge protection, tested in accordance with IEEE/ANSI C62.41.2
- Meets FCC Part 15, Subpart B, Class A limits for conducted and radiated emissions
- Luminaires with SWC and SWS options meet FCC Part 15, Subpart C limits for conducted and radiated emissions
- Assembled in the USA by Cree Lighting from US and imported parts
- Meets Buy American requirements within ARRA
- RoHS compliant. Consult factory for additional details
- DLC Premium qualified when ordered with 4L or 7L lumen packages. Please refer to <https://qpl.designlights.org/solid-state-lighting> for most current information
- **CA RESIDENTS WARNING:** Cancer and Reproductive Harm – www.p65warnings.ca.gov

INTELLIGENT LIGHTING CONTROL OPTIONS

SYNAPSE® SIMPLYSNAP Platform is a highly intuitive connected lighting solution featuring zone dimming, motion sensing, and daylight harvesting with utility-grade power monitoring and support of up to 1000 nodes per gateway. The system features a reliable and robust self-healing mesh network with a browser-based interface. The integrated platform takes the IG Series to a new performance plateau, providing extreme energy productivity, code compliance and a better light experience.

Electrical Data*							
Lumen Package	System Watts 120-480V**	Total Current (A)					
		120V	208V	240V	277V	347V**	480V**
4L	33	0.28	0.16	0.14	0.12	0.10	0.07
7L	60	0.52	0.30	0.26	0.22	0.17	0.13
10L	76	0.64	0.37	0.32	0.28	0.22	0.16

* Electrical data at 25°C (77°F). Actual wattage may differ by +/- 10% when operating between 120-277V or 347-480V +/- 10%
 ** Synapse wireless options available with 120-277V only

IG Series (Version B) Ambient Adjusted Lumen Maintenance ¹					
	Initial LMF	25K hr Reported ² LMF	50K hr Reported ² LMF	75K hr Estimated ³ LMF	100K hr Estimated ³ LMF
0°C (32°F)	1.04	0.99	0.97	0.94	0.92
5°C (41°F)	1.03	0.99	0.96	0.94	0.91
10°C (50°F)	1.02	0.98	0.95	0.93	0.90
15°C (59°F)	1.02	0.97	0.95	0.92	0.90
20°C (68°F)	1.01	0.96	0.94	0.91	0.89
25°C (77°F)	1.00	0.96	0.93	0.91	0.89
30°C (86°F)	0.99	0.95	0.92	0.90	0.88
35°C (95°F)	0.99	0.94	0.91	0.89	0.86
40°C (104°F)	0.98	0.93	0.91	0.88	0.86

¹ Lumen maintenance values at 25°C (77°F) are calculated per IES TM-21 based on IES LM-80 report data for the LED package and in-situ luminaire testing. Luminaire ambient temperature factors (LATF) have been applied to all lumen maintenance factors. Please refer to the [Temperature Zone Reference Document](#) for outdoor average nighttime ambient conditions.

² In accordance with IES TM-21, Reported values represent interpolated values based on time durations that are up to 6x the tested duration in the IES LM-80 report for the LED.

³ Estimated values are calculated and represent time durations that exceed the 6x test duration of the LED.

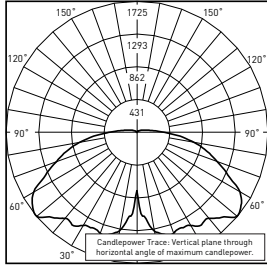
Accessories

Field-Installed	
Bird Shroud Kit IG-BG - For use only with pendant mount - 22ga. aluminum construction w/clear anodized finish - May not be used in combination with the IG-SLS accessory	Snap-On Side Light Shield IG-SLS - 14ga. aluminum construction w/clear anodized finish - May not be used in combination with the IG-BG accessory - Order one shield per side as needed - IES files available at https://www.creelighting.com/products/outdoor/parking-structure/ig-series/ Pendant Mount Kits XA-PS12KIT* - 5" (127mm) pendant XA-PS18KIT* - 11" (279mm) pendant XA-PS22KIT* - 15" (381mm) pendant - Includes two conduit fittings and 3/4-14 NPT pipe threaded on two ends * Must specify color: BK (Black), BZ (Bronze), SV (Silver) or WH (White)
Synapse Wireless Control Accessories	
SimplySNAP On-Site Controller SS450-002 - Verizon® LTE-enabled - Designed for indoor applications - Refer to SS450-002 spec sheet for details	Synapse Wireless Switch WSW-02-PS WSW-08-PS - Two or eight button low-voltage wall control - Refer to WSW spec sheet for details
SimplySNAP Central Base Station CBSSW-450-002 - Includes On-Site Controller (SS450-002) and 5-button switch - Indoor and Outdoor rated - Refer to CBSSW-450-002 spec sheet for details	Outdoor Antennas (Optional, for increased range, 8dB gain) KIT-ANT4205M - Kit includes antenna, 20' cable and bracket KIT-ANT360 - Kit includes antenna, 30' cable and bracket KIT-ANT600 - Kit includes antenna, 50' cable and bracket - Refer to Outdoor antenna spec sheet for details
Building Management System (BMS) Gateway BMS-GW-002 - Required for BACnet integration - Refer to BMS-GW-002 spec sheet for details	Synapse Wireless Sensor WSN-DPM - Motion and light sensor - Control multiple zones - Refer to WSN-DPM spec sheet for details

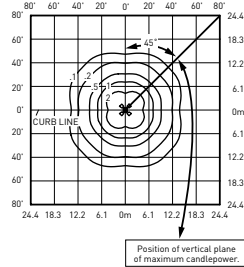
Photometry

All published luminaire photometric testing performed to IES LM-79 standards. To obtain an IES file specific to your project consult: <http://creelighting.com/products/outdoor/parking-structure/ig-series>

55



CESTL Test Report #: PL14554-001B
IG-B-NM-5S-7L-40K8-UL-WH
Initial Delivered Lumens: 7,587



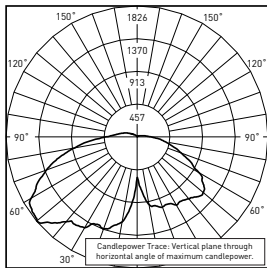
IG-B-NM-5S-7L-40K8-UL-WH
Mounting Height: 15' [4.6m] A.F.G.
Initial Delivered Lumens: 7,550
Initial FC at grade

Type V Short Distribution

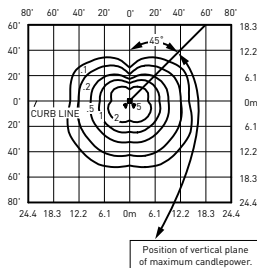
Lumen Package	3000K				3500K/4000K/5700K			
	UL Voltage		UH Voltage		UL Voltage		UH Voltage	
	Initial Delivered Lumens*	BUG Ratings** Per TM-15-20	Initial Delivered Lumens*	BUG Ratings** Per TM-15-20	Initial Delivered Lumens*	BUG Ratings** Per TM-15-20	Initial Delivered Lumens*	BUG Ratings** Per TM-15-20
4L	4,100	B2 U3 G2	3,860	B2 U3 G2	4,480	B2 U3 G2	3,860	B2 U3 G2
7L	7,550	B3 U3 G2	7,550	B3 U3 G2	7,550	B3 U3 G2	7,550	B3 U3 G2
10L	10,350	B3 U3 G3	10,350	B3 U3 G3	10,350	B3 U3 G3	10,350	B3 U3 G3

* Initial delivered lumens at 25°C (77°F). Actual production yield may vary between -10 and +10% of initial delivered lumens.
 ** For more information on the IES BUG (Backlight-Uplight-Glare) Rating visit: <https://www.ies.org/wp-content/uploads/2017/03/TM-15-11BUGRatingsAddendum.pdf>.

55 w/IG-SLS ACCESSORY



CESTL Test Report #: PL12228-002C
IG-B-NM-5S-7L-40K8-UL-WH w/Single IG-SLS
Initial Delivered Lumens: 6,540



IG-B-NM-5S-7L-40K8-UL-WH w/Single IG-SLS
Mounting Height: 15' [4.6m] A.F.G.
Initial Delivered Lumens: 6,800
Initial FC at grade

Type V Short Distribution w/Side Light Shield

Lumen Package	Shields	3000K				3500K/4000K/5700K			
		UL Voltage		UH Voltage		UL Voltage		UH Voltage	
		Initial Delivered Lumens*	BUG Ratings** Per TM-15-20	Initial Delivered Lumens*	BUG Ratings** Per TM-15-20	Initial Delivered Lumens*	BUG Ratings** Per TM-15-20	Initial Delivered Lumens*	BUG Ratings** Per TM-15-20
4L	Single	3,690	B2 U3 G2	3,470	B2 U3 G2	4,030	B2 U3 G2	3,470	B2 U3 G2
	Two Opposite	3,240	B1 U3 G1	3,050	B1 U3 G1	3,540	B2 U3 G2	3,050	B1 U3 G1
	Two Adjacent	3,240	B2 U3 G2	3,050	B2 U3 G2	3,540	B2 U3 G2	3,050	B2 U3 G2
	Three	2,710	B1 U3 G1	2,550	B1 U3 G1	2,960	B1 U3 G1	2,550	B1 U3 G1
	Four	2,130	B1 U1 G1	2,010	B1 U1 G1	2,330	B1 U1 G1	2,010	B1 U1 G1
7L	Single	6,800	B3 U3 G3	6,800	B3 U3 G3	6,800	B3 U3 G3	6,800	B3 U3 G3
	Two Opposite	5,975	B2 U3 G2	5,975	B2 U3 G2	5,975	B2 U3 G2	5,975	B2 U3 G2
	Two Adjacent	5,975	B3 U3 G3	5,975	B3 U3 G3	5,975	B3 U3 G3	5,975	B3 U3 G3
	Three	4,980	B2 U3 G2	4,980	B2 U3 G2	4,980	B2 U3 G2	4,980	B2 U3 G2
	Four	3,930	B2 U1 G1	3,930	B2 U1 G1	3,930	B2 U1 G1	3,930	B2 U1 G1
10L	Single	9,325	B3 U3 G3	9,325	B3 U3 G3	9,325	B3 U3 G3	9,325	B3 U3 G3
	Two Opposite	8,175	B3 U3 G3	8,175	B3 U3 G3	8,175	B3 U3 G3	8,175	B3 U3 G3
	Two Adjacent	8,175	B3 U3 G3	8,175	B3 U3 G3	8,175	B3 U3 G3	8,175	B3 U3 G3
	Three	6,825	B2 U3 G2	6,825	B2 U3 G2	6,825	B2 U3 G2	6,825	B2 U3 G2
	Four	5,375	B2 U1 G2	5,375	B2 U1 G2	5,375	B2 U1 G2	5,375	B2 U1 G2

* Initial delivered lumens at 25°C (77°F). Actual production yield may vary between -10 and +10% of initial delivered lumens.
 ** For more information on the IES BUG (Backlight-Uplight-Glare) Rating visit: <https://www.ies.org/wp-content/uploads/2017/03/TM-15-11BUGRatingsAddendum.pdf>.

Note: For IES files for this and additional shielding configurations, please visit <http://creelighting.com/products/outdoor/parking-structure/ig-series>

© 2023 Cree Lighting, A company of IDEAL INDUSTRIES. All rights reserved. For informational purposes only. Content is subject to change. Patent www.creelighting.com/patents. Cree® and the Cree Lighting logo are registered trademarks of Cree, Inc. WaveMax® is a registered trademark and DiamondFacet™ is a trademark of Cree Lighting, A company of IDEAL INDUSTRIES. The UL logo is a registered trademark of UL LLC. Synapse® is a registered trademark of Synapse Wireless, Inc. Verizon® is a registered trademark of Verizon Trademark Services LLC. The DLC QPL, DLC QPL Premium and the DLC LUNA Logos are the registered and unregistered trademarks of Efficiency Forward, Inc. The Bluetooth® word mark and logos are registered trademarks owned by Bluetooth SIG, Inc. and any use of such marks is under license. Other trademarks, service marks, and trade names are those of their respective owners. IOS is a registered trademark or trademark of Cisco Systems, Inc. and/or its affiliates in the United States and certain other countries. Android is a trademark of Google, Inc.

US: creelighting.com (800) 236-6800
Canada: creelighting-canada.com (800) 473-1234



A COMPANY OF IDEAL INDUSTRIES, INC.