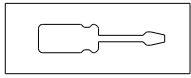
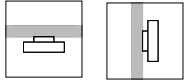
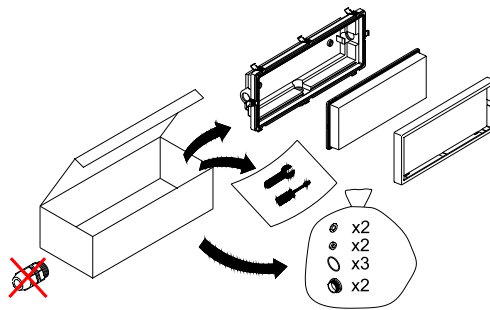
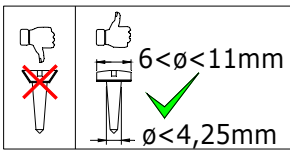
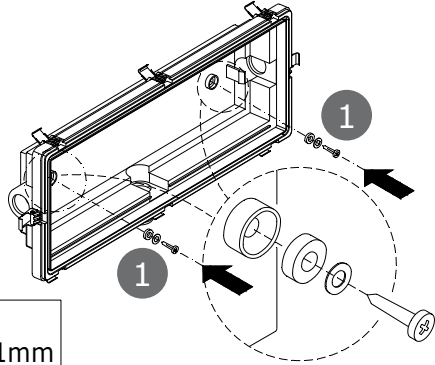


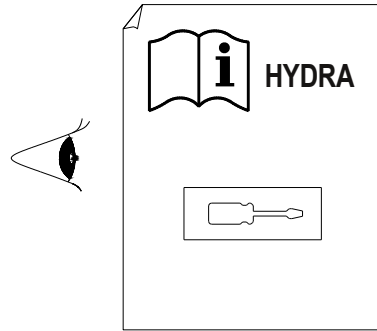
KES HYDRA



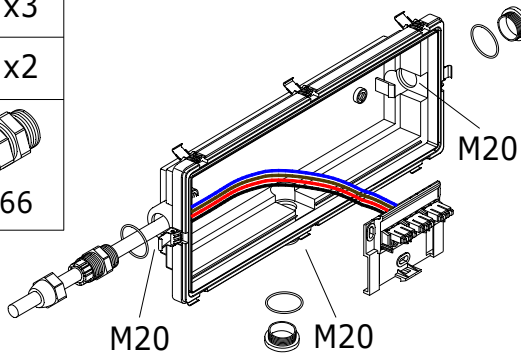
- 1** x2
 x2



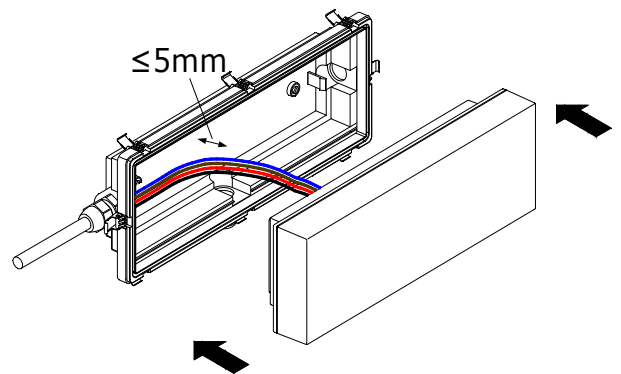
2



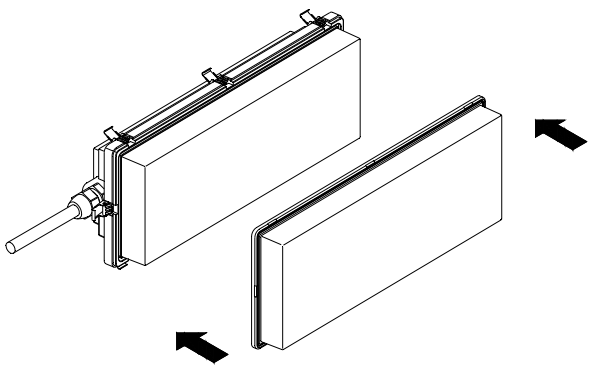
- 3** x3
 x2
 $\geq \text{IP66}$



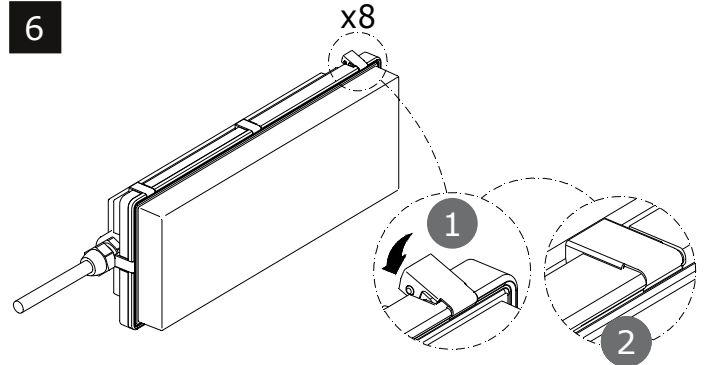
4



5



6



7

